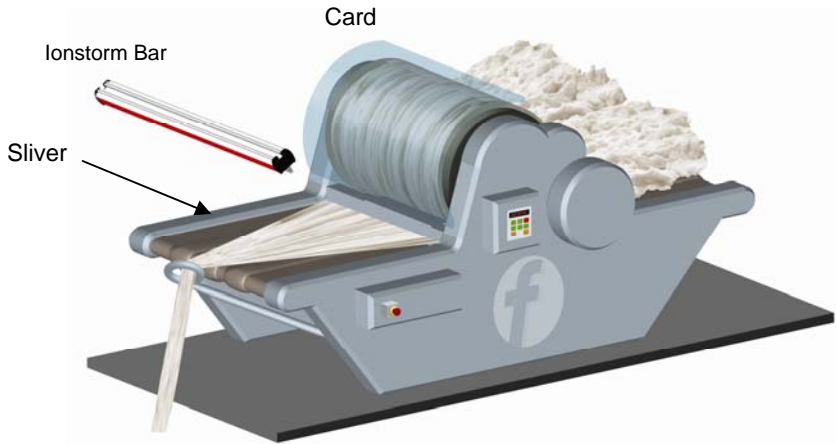


Static electricity causes severe problems in many areas of the textile industry. Some of these are shown below. Please contact the factory for solutions to other applications.

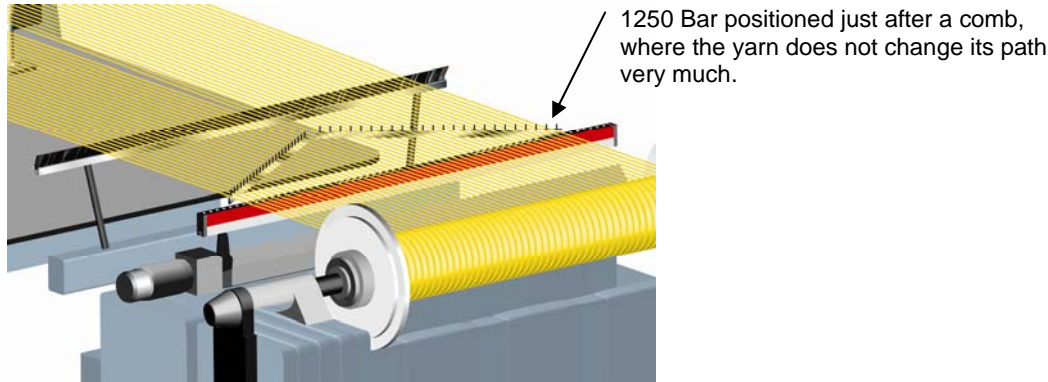
## Carding

The sliver coming out of the carding process can be highly charged. The long-range ionstorm eliminator can be positioned about 500mm above the apron so will not interfere with the product.



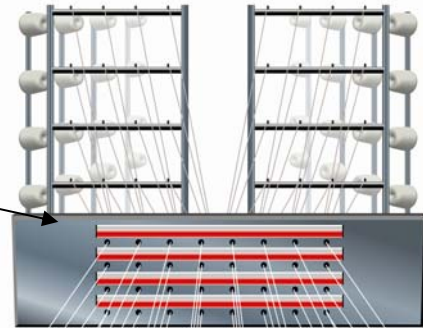
## Warping, Beaming, Sizing

The high speed yarn can be highly charged, resulting in “ballooning” and yarn breaks. The typical solution is to neutralise the yarn when it is flat after a comb or eyelets.



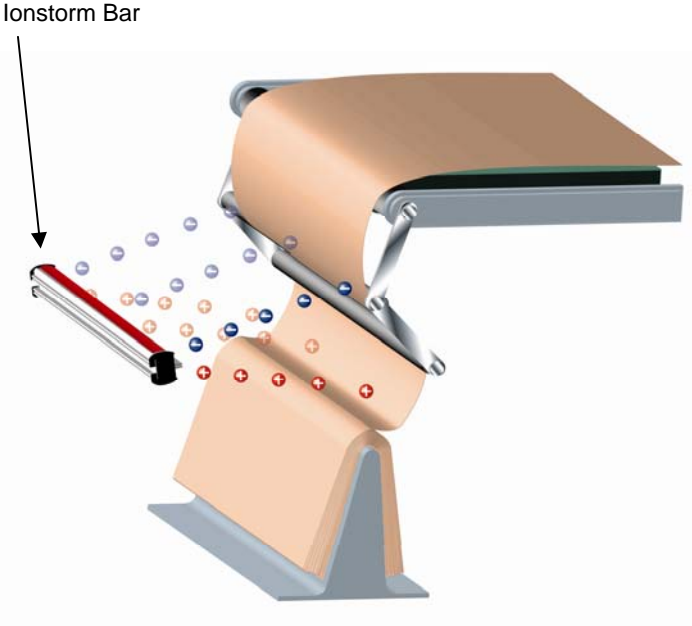
**Creels** It is often necessary to neutralise each layer of yarn coming from a creel, as shown.

These 1250 Bars may be joined together in series in a “ladder” so that only one cable goes back to the Power Unit.



## Stenter, "A" frame delivery

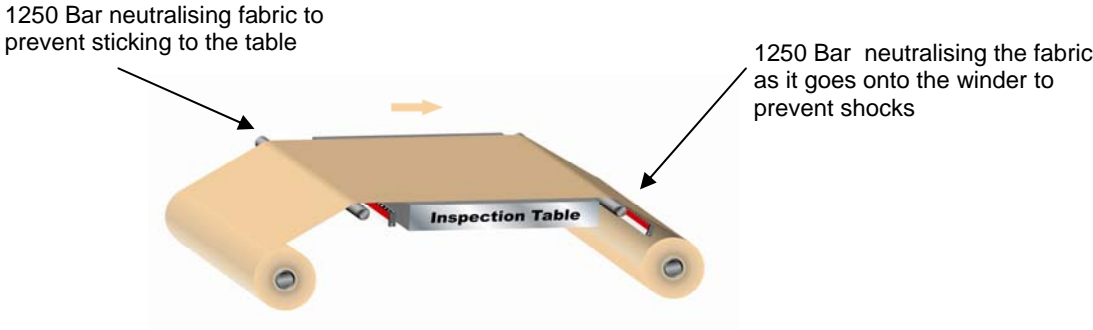
The moving delivery arm may make it difficult to neutralise the fabric with conventional short range static eliminators. If this is the case then the best product to use is the Ionstorm Bar - positioned about 500mm from the centre position of the fabric it will neutralise the charge.



## Inspection Machines

Static charge is generated as the fabric is unwound and passes over the light table.

This can cause adhesion to the table and also give shocks to people handling the inspected fabric. The solution is to position 1250 Bars as shown in the sketch below.



## Other winders

Ionstorm Bars are very effective for neutralising static charges on larger winders where long range performance is required.

